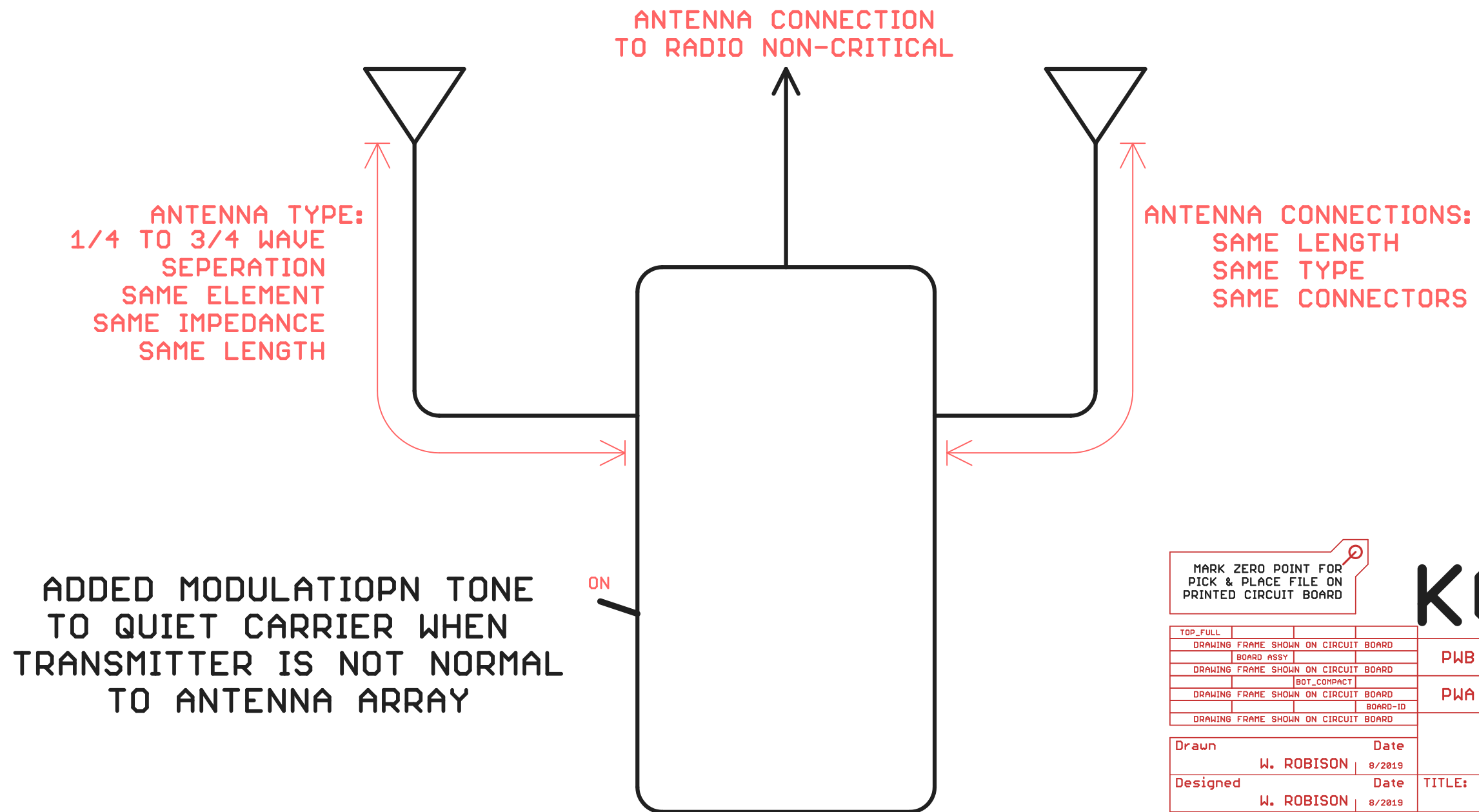


DIFFERENTIAL TIME OF ARRIVAL DIRECTION FINDER

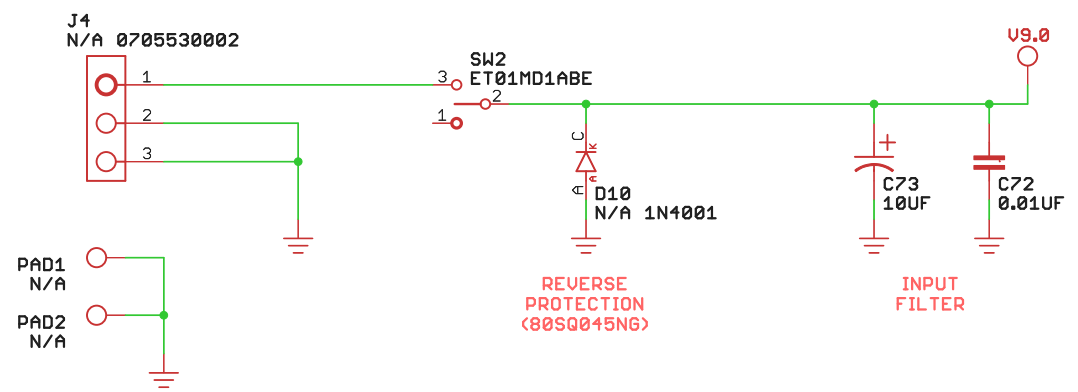
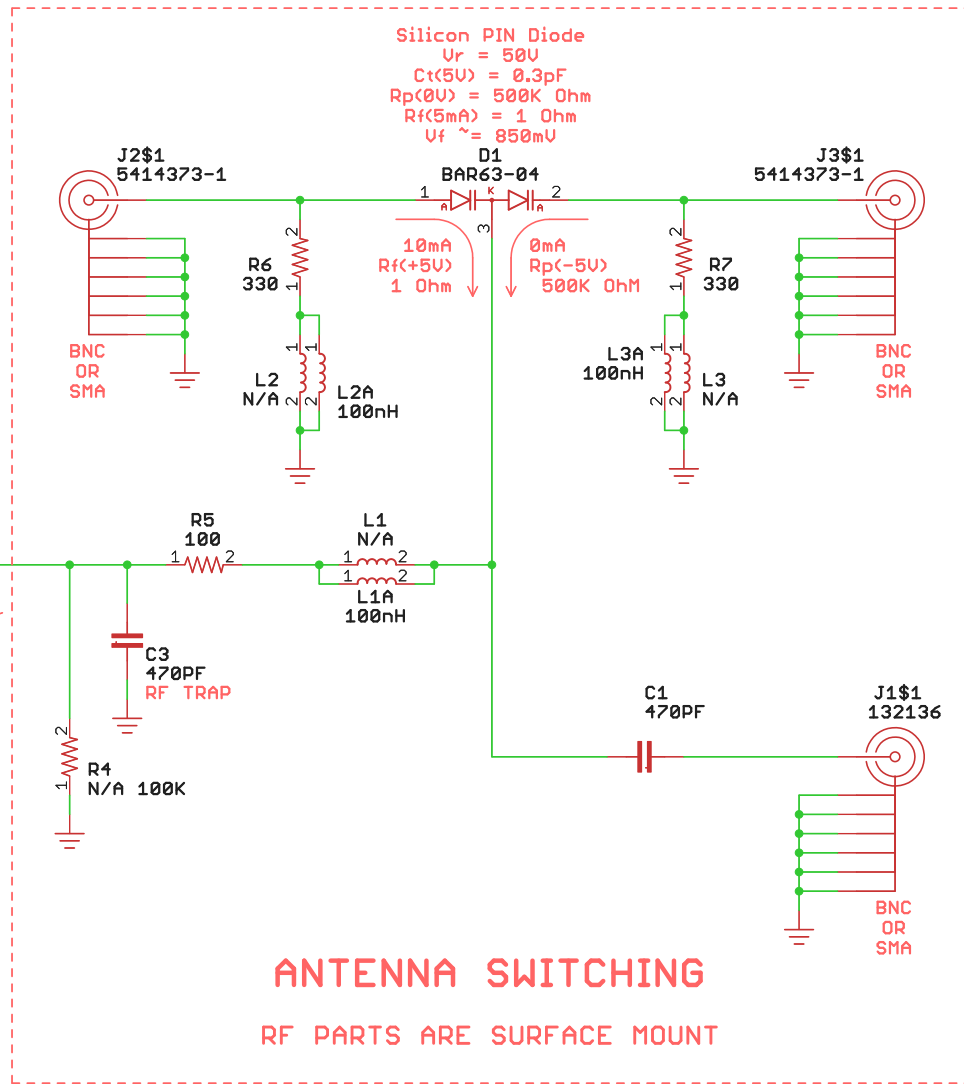
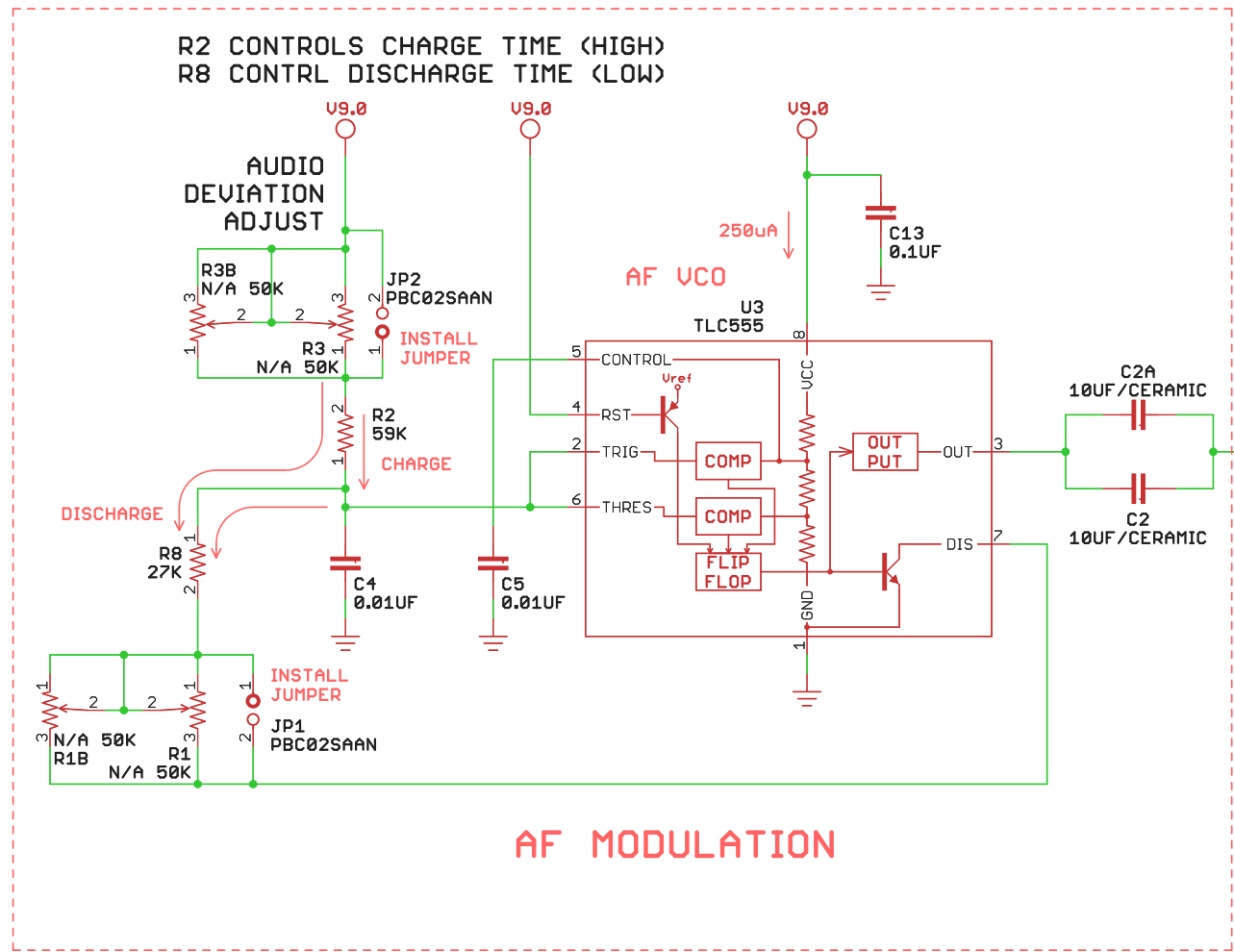


MARK ZERO POINT FOR
PICK & PLACE FILE ON
PRINTED CIRCUIT BOARD

KCØJFQ

TOP_FULL	
DRAWING FRAME SHOWN ON CIRCUIT BOARD	
BOARD ASSY	
DRAWING FRAME SHOWN ON CIRCUIT BOARD	
BOT_COMPACT	
DRAWING FRAME SHOWN ON CIRCUIT BOARD	
BOARD-ID	
DRAWING FRAME SHOWN ON CIRCUIT BOARD	
Drawn	Date
W. ROBISON	8/2019
Designed	Date
W. ROBISON	8/2019

PWB RELEASED AS 2D354 102 - 73170 -A			
PWA RELEASED AS 2D354 102 - 73170 -A			
The University of Iowa Department of Physics & Astronomy Iowa City, IA, USA			
TITLE: ICARC DTOA DIRECTION FINDER			
A102_73170_A			
CAGE	Series	Number	Rev
2D354	102 ICARC FOX HUNT	B 73170	A



PCB1
102-73170

ENCLOSURE
ENCL1
1599BBAT

THIS BOARD CONTAINS
STATIC SENSITIVE
DEVICES. HANDLE
ONLY IN STATIC SAFE
ENVIRONMENT

Drawn **W. ROBISON** Date 8/2019
Designed **W. ROBISON** Date 8/2019



The University of Iowa
Department of Physics & Astronomy
Iowa City, IA, USA

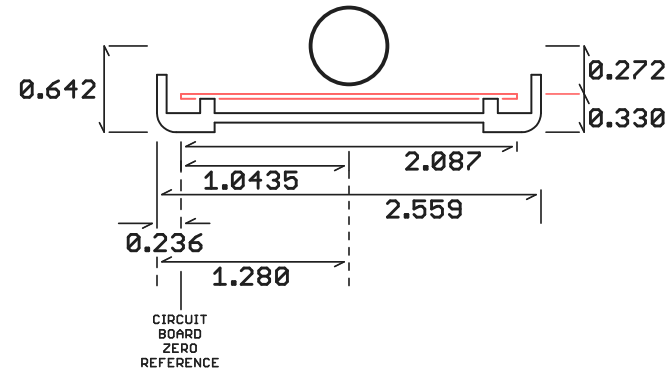
TITLE: **ICARC DTOA DIRECTION FINDER** A102_73170_A

CAGE 2D354	Series 102 iCARC FOX HUNT	Number B 73170	Rev A
----------------------	---------------------------------	--------------------------	-----------------

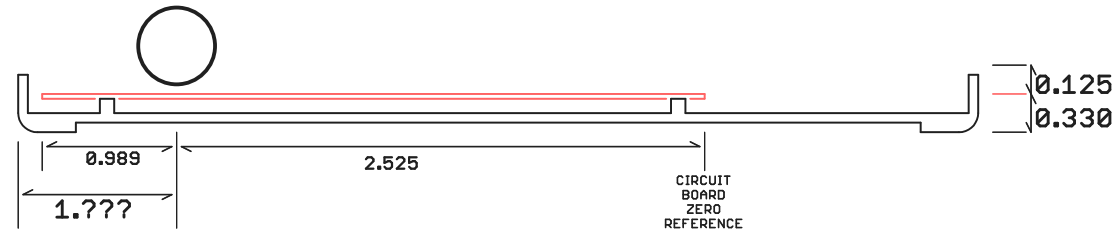
Date: **4/4/20 7:30 PM** 4/4/20 7:31 PM Sheet: **2/3**

HM1599BBAT MECHANICAL DETAILS

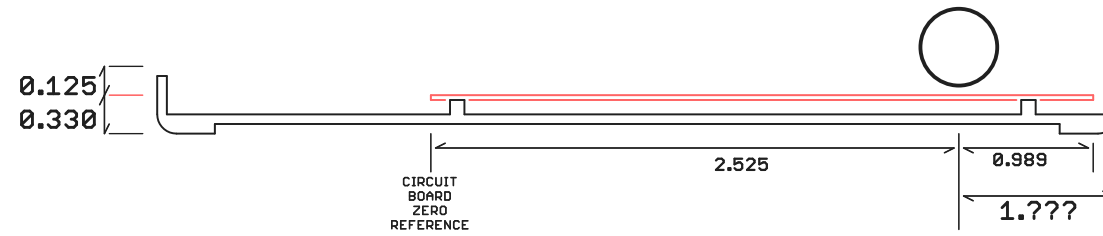
RADIO CONNECTOR



ANTENNA CONNECTORS



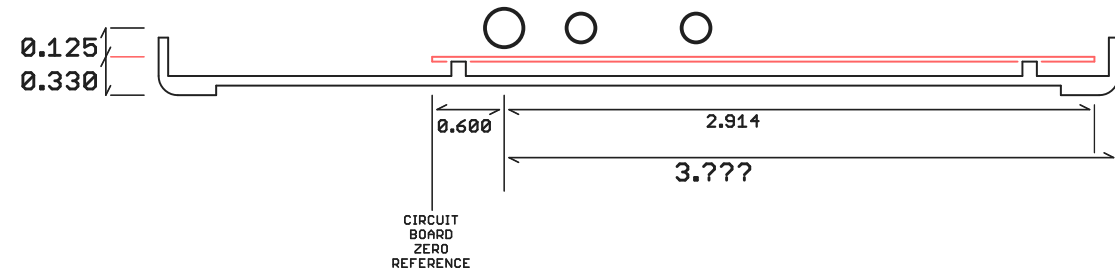
ANTENNA CONNECTORS



MOUNTING SCREWS



POWER AND TIMING



BATTERY CONNECTOR



CIRCUIT BOARD HEIGHT ABOVE BASELINE



CIRCUIT BOARD HEIGHT ABOVE BASELINE (BASE)



NOT TO SCALE

Drawn	W. ROBISON	Date	8/2019
Designed	W. ROBISON	Date	8/2019

The University of Iowa Department of Physics & Astronomy Iowa City, IA, USA			
TITLE: ICARC DTOA DIRECTION FINDER			
			A102_73170_A
CAGE	Series	Number	Rev
2D354	102 ICARC FOX HUNT	B 73170	A
Date: 4/4/20 7:30 PM		4/4/20 7:31 PM	Sheet: 3/3