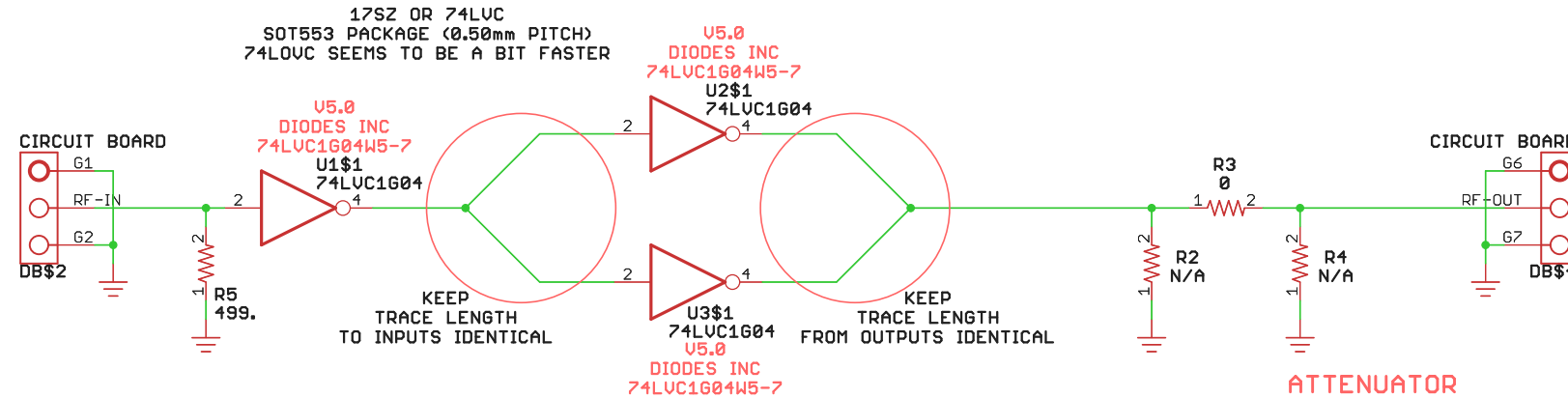
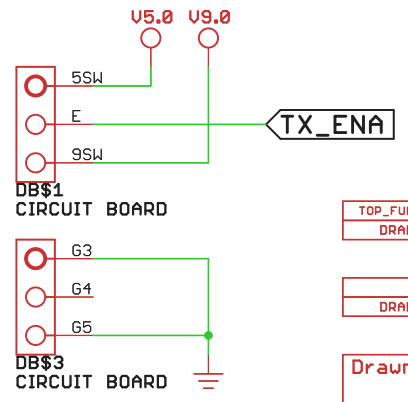
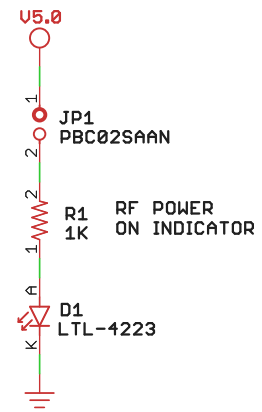
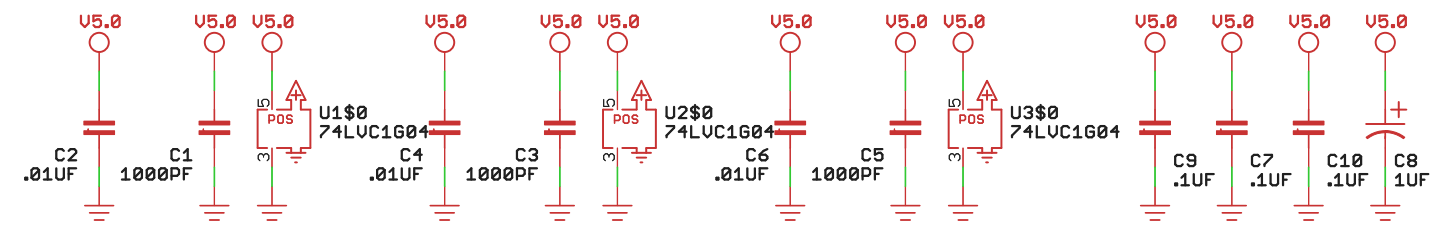


CLASS-D AMPLIFIER



ATTENUATOR

dB	R1	R2
0	N/A	N/A
5	30.1	178.
10	71.5	59.3
15	137	71.5
20	249.	60.4
25	442.	56.2
30	487.	53.6



TOP_FULL		
DRAWING FRAME SHOWN ON CIRCUIT BOARD		
BOT_COMPACT		
DRAWING FRAME SHOWN ON CIRCUIT BOARD		
Drawn	Date	
KC0JFQ	2019-11-13	
Designed	Date	
KC0JFQ	2019-11-13	

The University of Iowa
Department of Physics & Astronomy
Iowa City, IA, USA

TITLE: AMP BYPASS				A102_73161_24	
CAGE	Series	Number	Rev		
2D354	102 FOX TRANSMITTER	A 73161	24		
Date: 12/8/19 3:59 PM		12/8/19 4:02 PM	Sheet: 1/1		