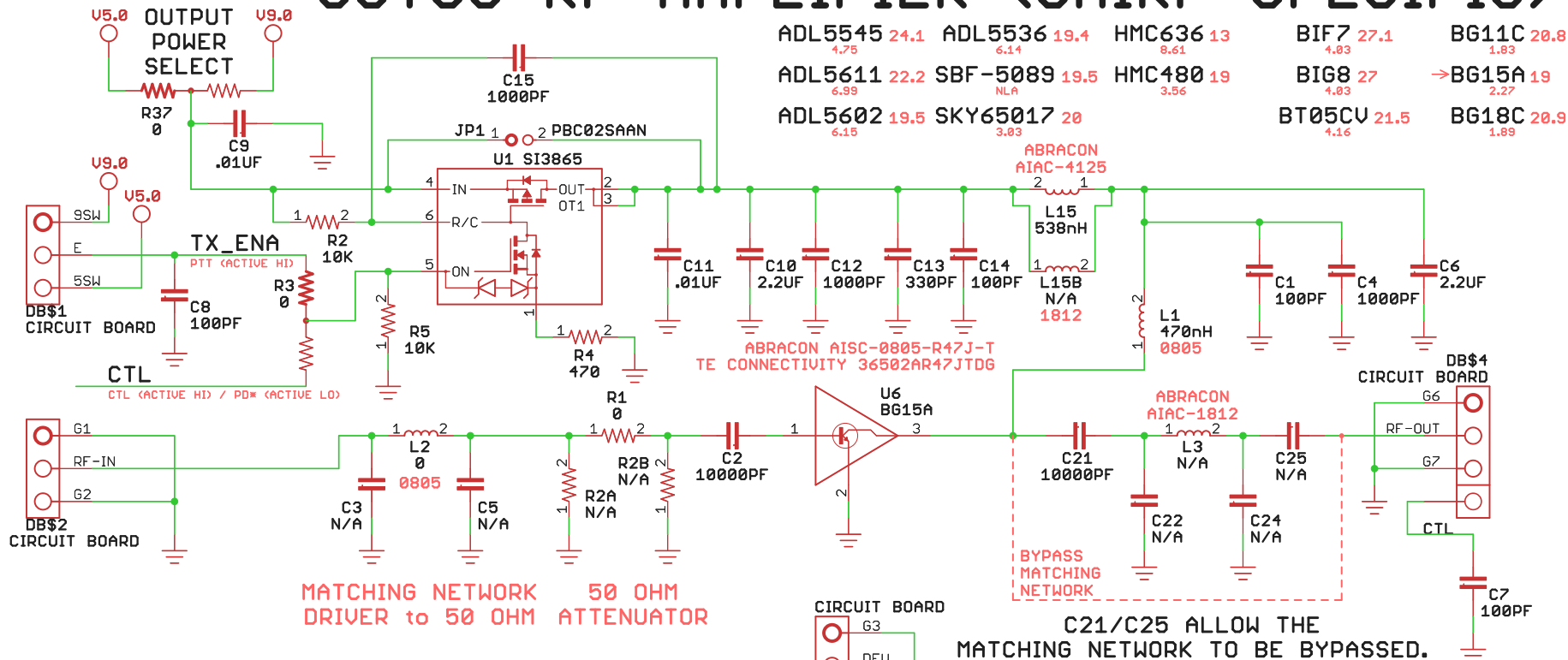



# SOT89 RF AMPLIFIER (CHIRP SPECIFIC)



MATCHING NETWORK DRIVER to 50 OHM ATTENUATOR

C21/C25 ALLOW THE MATCHING NETWORK TO BE BYPASSED. INSTALL A CAPACITOR BETWEEN LEFT PAD C21 AND LEFT PAD C25

 THIS BOARD CONTAINS STATIC SENSITIVE DEVICES. HANDLE ONLY IN STATIC SAFE ENVIRONMENT

ICS525	C3	L2	C5	ADL5536
20 Ohm		27nH	27PF	50+0.0j Ohm
40 Ohm		22nH	11PF	50+0.0j Ohm
50 Ohm		SHORT		50+0.0j Ohm
75 Ohm	10PF	39nH		50+0.0j Ohm
86 Ohm	10PF	47nH		50+0.0j Ohm
101 Ohm	11PF	56nH		50+0.0j Ohm
126 Ohm	11PF	68nH		50+0.0j Ohm
215 Ohm	9PF	100nH		50+0.0j Ohm
285 Ohm	8.5PF	120nH		50+0.0j Ohm
420 Ohm	7.2PF	150nH		50+0.0j Ohm

dB	R1	R2
0	0	N/A
5	30.1	178.
10	71.5	59.3
15	137	71.5
20	249.	60.4
25	442.	56.2
30	487.	53.6

TOP_FULL	BOT_COMPACT	BOARD-ID
DRAWING FRAME SHOWN ON CIRCUIT BOARD		
Drawn	Date	
KC0JFQ	2019-05-13	
Designed	Date	
KC0JFQ	2019-05-13	
TITLE: SOT89 RF AMP (TX_ENA)		
A102_73181_28		

The University of Iowa  
Department of Physics & Astronomy  
Iowa City, IA, USA

<https://www.analog.com/en/design-center/interactive-design-tools/rf-impedance-matching-calculator.html>

CAGE	Series	Number	2 Layers	Rev
2D354	102	73181		28
Date: 4/8/24 5:42 PM		4/8/24 5:42 PM		Sheet: 1/1