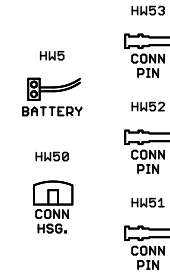


PWA RELEASED AS 102-73170-A

ASSEMBLE PER BOM 102_73170_A.DigiKey.csv
 PICK & PLACE FILE 102_73170_A.pck_plc.txt
 REFERENCE VIEW, TOP 102_73170_A_top.pdf
 REF. VIEW, BOTTOM 102_73170_A_bot.pdf

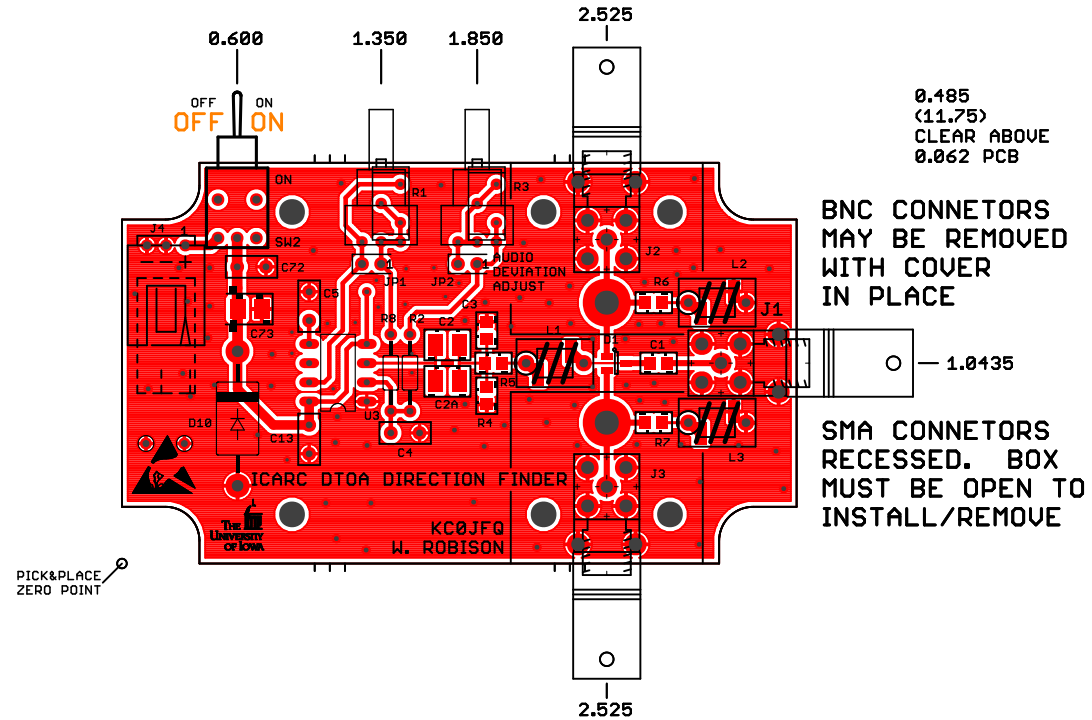
PADS ARE TYPICALLY OPTIMIZED FOR HAND SOLDERING. THERE WILL BE ADDITIONAL COPPER EXTENDING BEYOND THE END OF THE DEVICE. THIS ADDITIONAL PAD AREA PROVIDES CONTACT AREA FOR THE SOLDERING IRON TIP



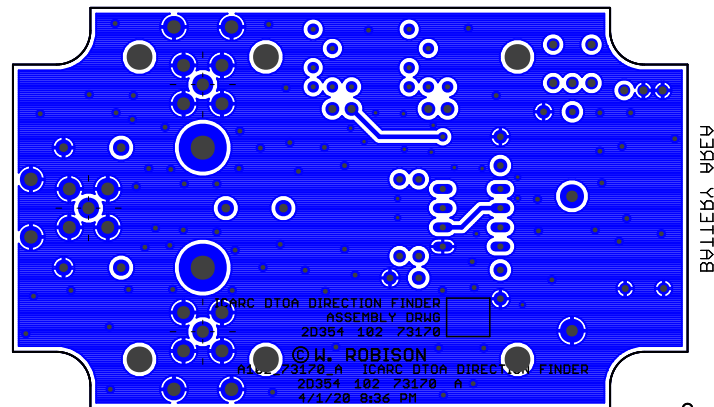
ENCL1
HAMMOND 5.120 2.560
ENCLOSURE
HW1 HW2 HW3 HW4

PCB1

TOP MARKING INK 102_73170_A.gto .6TO
 TOP COPPER 102 102_73170_A.gm01 .6TL



Drawn	W. ROBISON	Date	TITLE: ICARC DTOA DIRECTION FINDER				The University of Iowa	
Designed	W. ROBISON	Date	PWA		Department of Physics & Astronomy		Iowa City, IA, USA	
Approval 1		Date	Plot: 4/1/20 8:36 PM	Save: 12/19/19 11:48 AM	A102_73170_A			
			CAGE	Series	iCARC FOX HUNT	LAYERS	Number	REV:
			2D354	102		2	73170	A



TOP COPPER 102 105_23170_A.dwg
 BOT MARKING INK 105_23170_A.dwg

PICK&PLACE
 ZERO POINT

TITLE: ICARC DTOA DIRECTION FINDER		The University of Iowa	
PWA		Department of Physics & Astronomy	
Date: 12/19/19 11:48 AM		Iowa City, IA, USA	
CAGE		A102_73170_A	
2D354	Series	ICARC FOX HUNT	LAYERS
102	102	2	Number
			73170
			REV:
			A